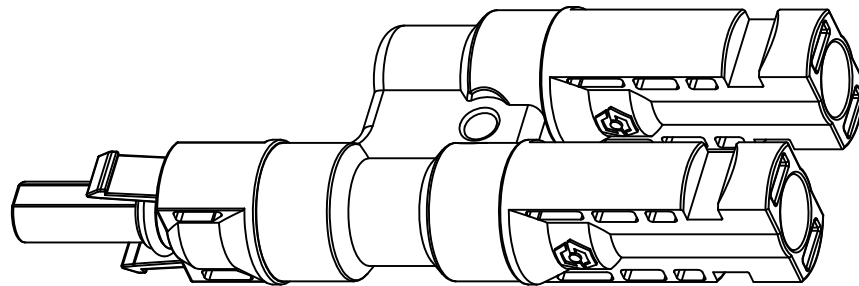
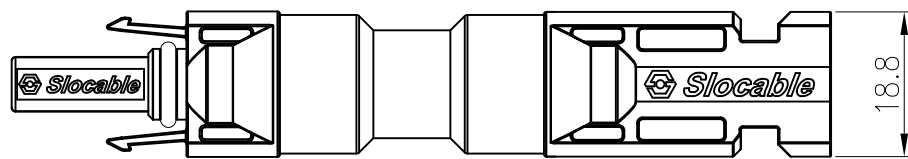
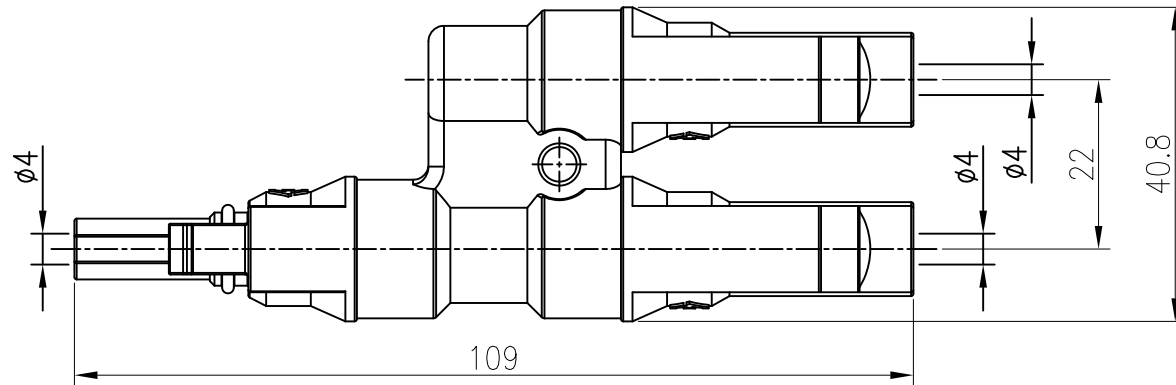


客户图
Customer drawings



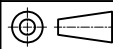
| | |
|---------------------------|-------------------------------|
| Insulation material | PPO |
| Rated current | 50A(Max.) |
| Rated voltage | 1000V(TUV) 600V(UL) |
| Test voltage | 6kV(50Hz,1min) |
| Contact resistance | <math><1\text{m}\Omega</math> |
| Contact material | Copper, Ag plated |
| Degree of protection | IP2X/IP67 |
| Safety class | II |
| Flame class | UL94-V0 |
| Insertion force | Max. 50N |
| Withdrawal force | Min. 50N |
| Ambient temperature range | -40°C...+90°C(IEC/CEI) |
| Pin dimensions | $\phi 4.0\text{mm}$ |

| | | | | | | | | | | | | | | | |
|----|--|-----------|--|------------|--|-----|--|----------------|--|------|--|------|--|--|--|
| | | 尺寸公差 | | 角度公差 | | 核准 | | 程襄东 2010.09.06 | | 材质 | | 产品 | |  Dongguan Slocable Photovoltaic Technology Co., Ltd. | |
| | | X.0 ±0.25 | | X.0° ±1° | | 审核 | | 程襄东 2010.09.06 | | 表面处理 | | 名称 | | | |
| | | 0.X ±0.13 | | 0.X° ±0.5° | | 设计 | | 程襄东 2010.09.06 | | 角法 | | 料号 | | | |
| 版本 | | 修订日期 | | 修订内容 | | 修订人 | | 程襄东 2010.09.06 | | 页次 | | 专案编号 | | | |
| 1 | | 2 | | 3 | | 4 | | 5 | | 6 | | 7 | | | |

C4 Branch connector
2Male 1Female

BC40-1F2M

P-09015



比例

1/2

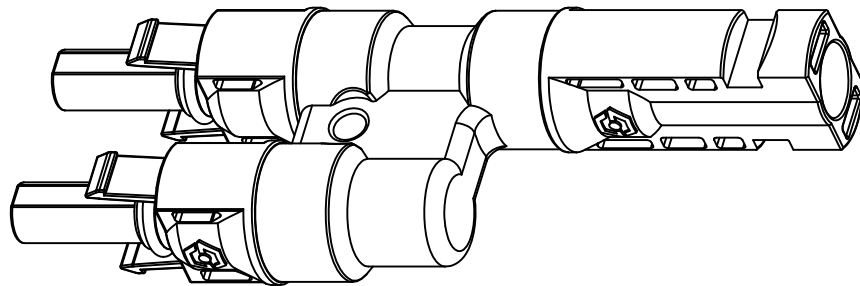
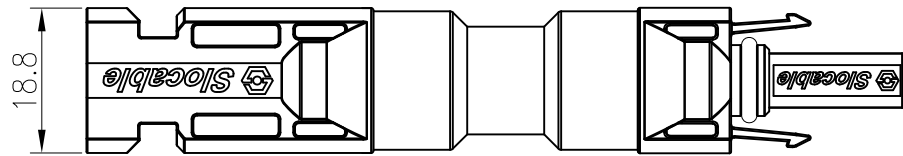
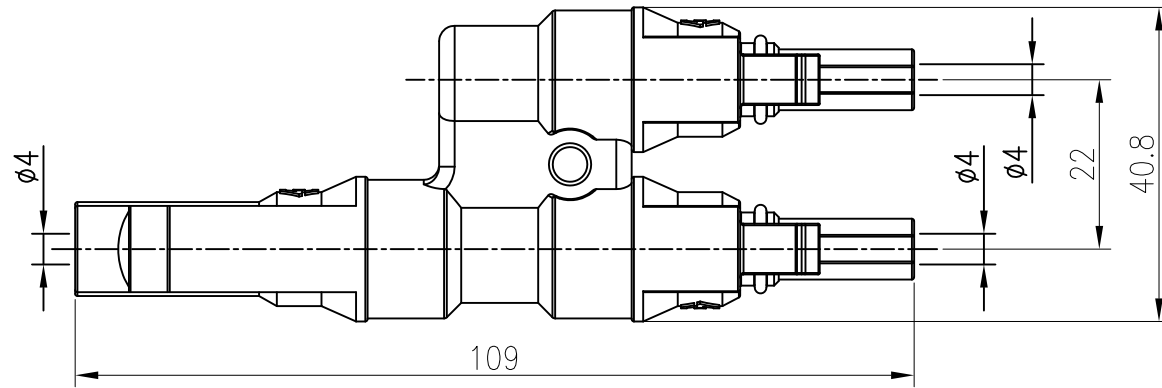
单位

mm

Slocable
Dongguan Slocable Photovoltaic Technology Co., Ltd.

文件编号
DWG-09015-S01

客户图
Customer drawings



| | |
|---------------------------|------------------------|
| Insulation material | PP0 |
| Rated current | 50A(Max.) |
| Rated voltage | 1000V(TUV) 600V(UL) |
| Test voltage | 6kV(50Hz,1min) |
| Contact resistance | <1mΩ |
| Contact material | Copper, Ag plated |
| Degree of protection | IP2X/IP67 |
| Safety class | II |
| Flame class | UL94-V0 |
| Insertion force | Max. 50N |
| Withdrawal force | Min. 50N |
| Ambient temperature range | -40°C...+90°C(IEC/CEI) |
| Pin dimensions | φ4.0mm |

| | | | | | | | | | | | | | | | | | | | | | | | | | | | | | | | | | | | | | | | | | | | |
|----|--|-----------|--|------------|--|-----|--|----------------|--|-------------|--|----|--|---------------------|--|--|--|----|--|-----|--|----|--|----|--|----|--|----|--|----|--|-----------|--|----|--|----|--|---------|--|----|--|----|--|
| | | 尺寸公差 | | 角度公差 | | 核准 | | 程襄东 2010.09.06 | | 材质 | | 产品 | | C4 Branch connector | |  Dongguan Slocable Photovoltaic Technology Co., Ltd. | | | | | | | | | | | | | | | | | | | | | | | | | | | |
| | | X.0 ±0.25 | | X.0° ±1° | | 审核 | | 程襄东 2010.09.06 | | 表面处理 | | 名称 | | 2Female 1Male | | | | | | | | | | | | | | | | | | | | | | | | | | | | | |
| | | 0.X ±0.13 | | 0.X° ±0.5° | | 设计 | | 程襄东 2010.09.06 | | 角法 | | 料号 | | BC40-2F1M | | | | | | | | | | | | | | | | | | | | | | | | | | | | | |
| 版本 | | 修订日期 | | 修订内容 | | 修订人 | | 0.0X ±0.05 | | 0.0X° ±0.2° | | 绘图 | | 程襄东 2010.09.06 | | | | 页次 | | 2/2 | | 单位 | | mm | | 比例 | | 产品 | | 料号 | | BC40-2F1M | | 专案 | | 编号 | | P-09015 | | 文件 | | 编号 | |



CERTIFICATE OF LVD COMPLIANCE

According to Directive: 2006/95/EC

Ref. No.: 2011DG0617122

Product: Connectors
Applicant: Dongguan Slocable Photovoltaic Technology Co., Ltd.
Address: No.5,Guanghui Industrial Zone,
Dongcheng Science Park, Dongcheng District,
Dongguan City, Guangdong Province,
China
Model: BC30-2M1F, BC30-2F1M, BC40-2M1F, BC40-2F1M
Rating: DC 50-1000V, 30mA-50A

The test sample of product has been passed, the test according to requirements of the following standards:

Standard(s):
EN 60320-1:2001

Test report(s) No.:
NTEK-2011DG0617122S

Based on the voluntary assessment of the product sample and technical file, we confirm that the above-mentioned product meets the requirements of the EC directive.

The CE mark as show below can be used, under the responsibility of the manufacturer or the importer, after completion of an EC declaration of conformity and compliance with all relevant EC directives.



Approved by/Date: _____

Tom Cou

Department Manager



NTEK Testing Technology Co., Ltd.

Address: 1/F, Building E, Fenda Science Park, Sanwei Community, Xixiang Street, Bao'an District, Shenzhen P.R. China
Tel: (86)-0755-61156588 Fax: (86)-0755-61156599 Http: www.ntek.org.cn